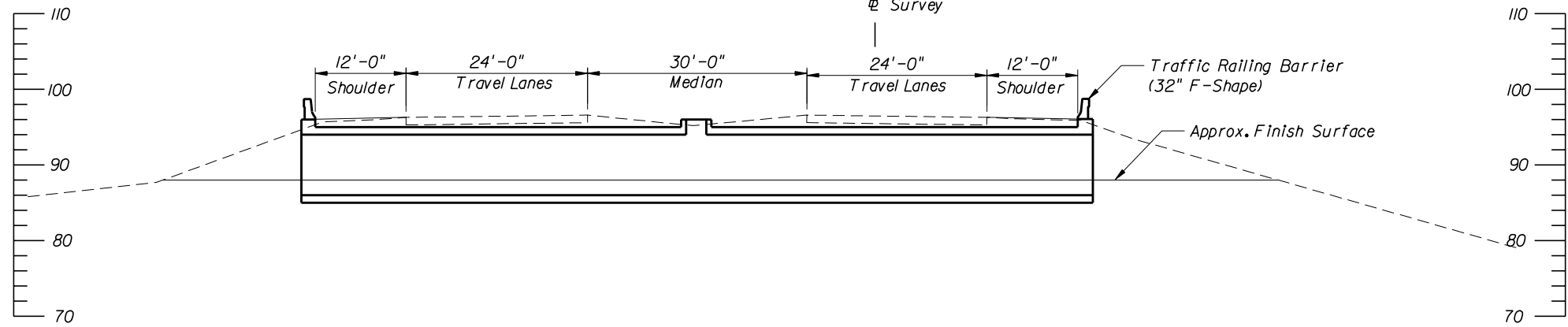


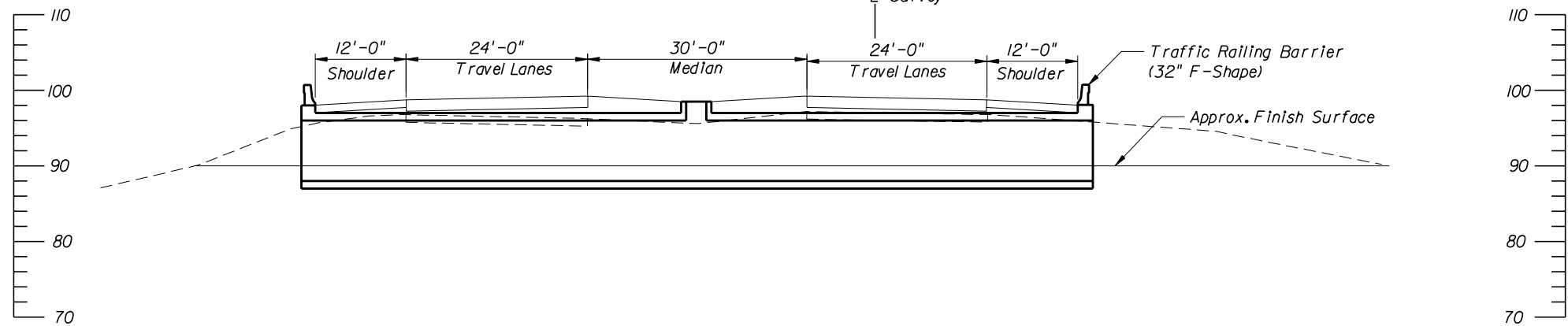
616+00

Survey



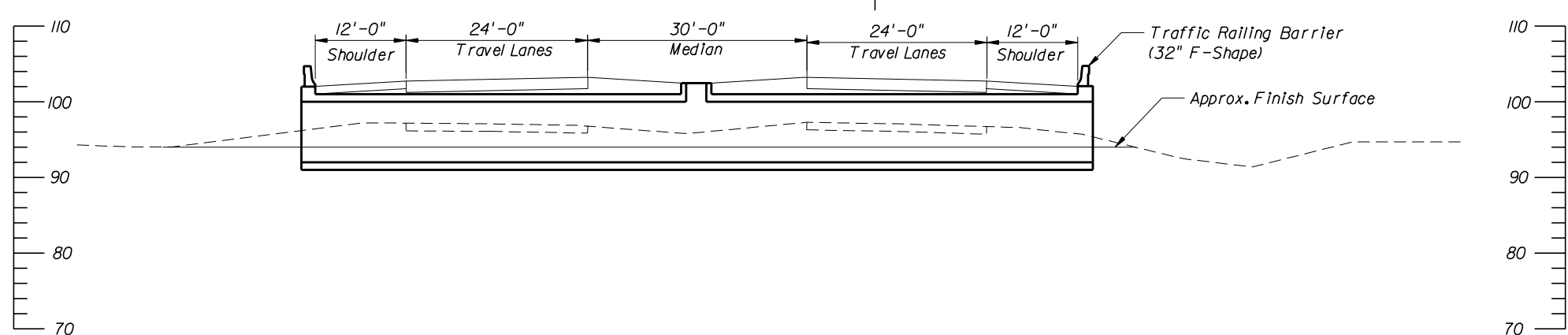
611+10

Survey



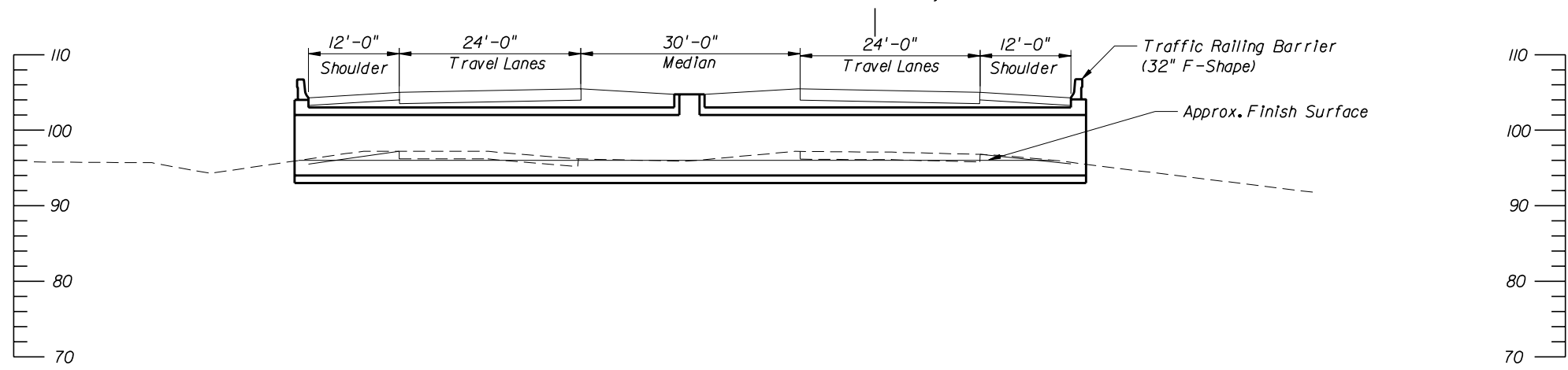
606+60

Survey

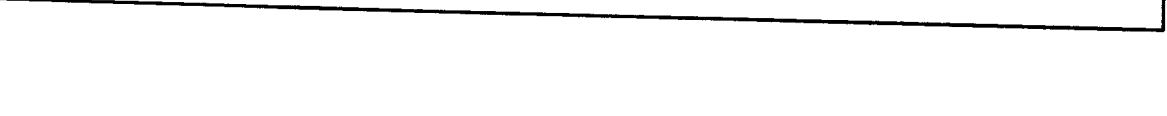
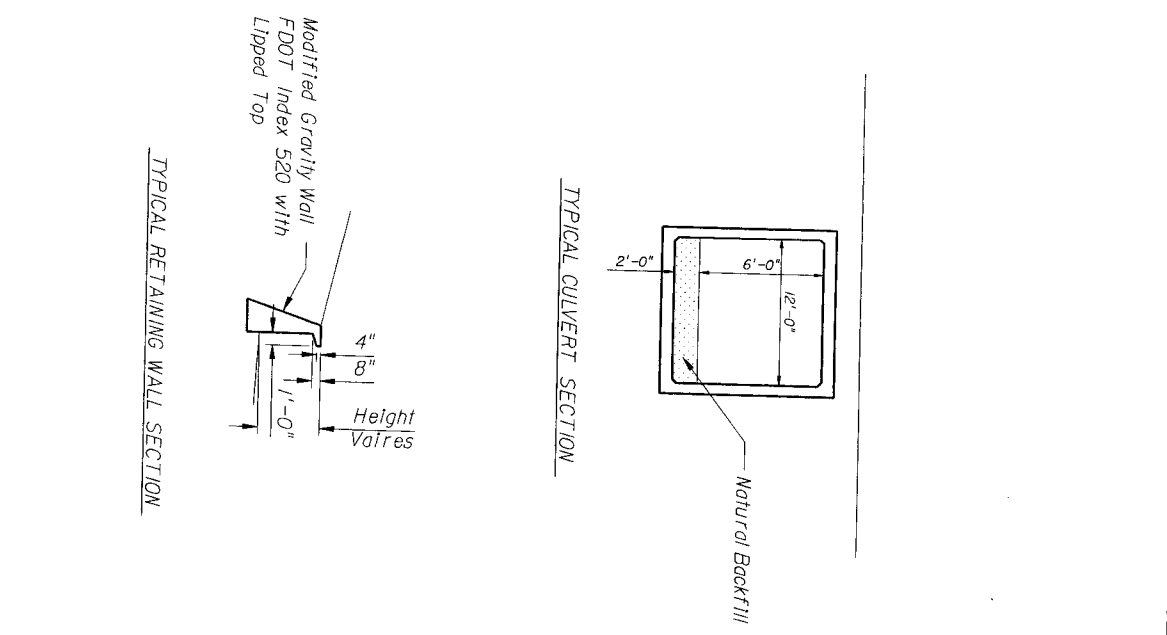
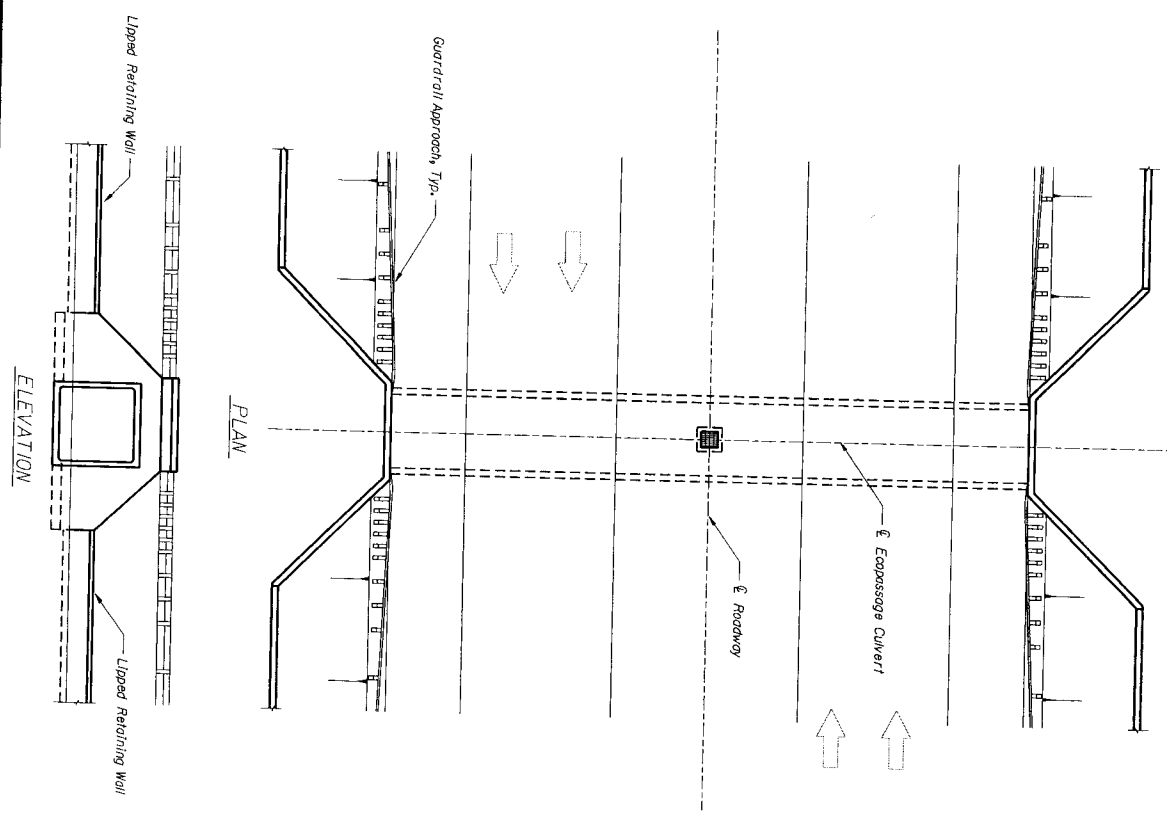


602+00

Survey



The document, together with the contract and design pertinent thereto, is to be held in force, to be used only for the specific purpose and class for which it was prepared. Plans of and by whom subject to this document without written authority.



DATE	12/16/04	PROJECT NO.	1	COUNTY	FLORIDA	ENGINEER	LAKE JACKSON ECOPASSAGE TYPICAL CULVERT CROSSINGS	SHEET NUMBER	01
DESIGNED BY	NAME	DATE	12/16/04	PROJECT NO.	1	COUNTY	FLORIDA	ENGINEER	LAKE JACKSON ECOPASSAGE TYPICAL CULVERT CROSSINGS
DRAWN BY	NAME	DATE	12/16/04	PROJECT NO.	1	COUNTY	FLORIDA	ENGINEER	LAKE JACKSON ECOPASSAGE TYPICAL CULVERT CROSSINGS
CHECKED BY	NAME	DATE	12/16/04	PROJECT NO.	1	COUNTY	FLORIDA	ENGINEER	LAKE JACKSON ECOPASSAGE TYPICAL CULVERT CROSSINGS
REVISIONS	DATE	BY	DESCRIPTION	DATE	BY	DESCRIPTION	DATE	BY	DESCRIPTION

**Kirby-Horn and Associates, Inc.**  
 1421 W. UNIVERSITY BLVD., SUITE 200  
 TAMPA, FLORIDA 33606  
 PHONE: (813) 834-1111  
 FAX: (813) 834-1112  
 WWW.KIRBY-HORN.COM

